

LP4



 STOTTS



Driving Combo Zone 3 shown

Description:

The LP4 is the smallest variant in the LP line up but maintains all of the power and features of its siblings. The LP4 features a total of 8,750 lumens and a 200° spread of useable LED light. This light pumps out 7,050 forward projecting lumens and 1,700 lumens of dedicated peripheral lighting courtesy of our patented Integrated Peripheral Technology (IPT).

To keep your light performing at its highest potential, the LP4 integrates our proprietary Direct Ducted Cooling (DDC) technology. This feature allows air to travel through the front of the housing, over the rear heat sinks - drastically improving cooling capacity and performance.

With an amber day-time running light, the LP4 will fulfill all your lighting needs.

Specifications:

Forward Projecting Lumens: 7,050 Utilizing 4 LEDs
Forward Projecting Wattage/Amps: 60W / 4.3A

IPT Lumens: 1,700 Utilizing 4 LEDs
IPT Wattage/Amps: 15W / 1.0A

Backlight Wattage/Amps: 4.83W / 0.35A
Dimensions: 5.1" Height / 5.1" Width / 3.2" Depth
Weight: 2.8lbs

LED Life Expectancy: 49,930 Hours

Front Lens: Hardcoated Polycarbonate

Housing: Hard Anodized Machined Aluminum

Bezel: Billet Machined Aluminum

Hardware & Bracket Material: Stainless Steel

Exceeds MIL-STD810G (Mil-Spec Testing)

Built-In Overvoltage Protection

IP69K (Waterproof up to 9ft & Pressure Washable)

IK10 Compliant (Mechanical Impact Testing)

Baja Designs Features:

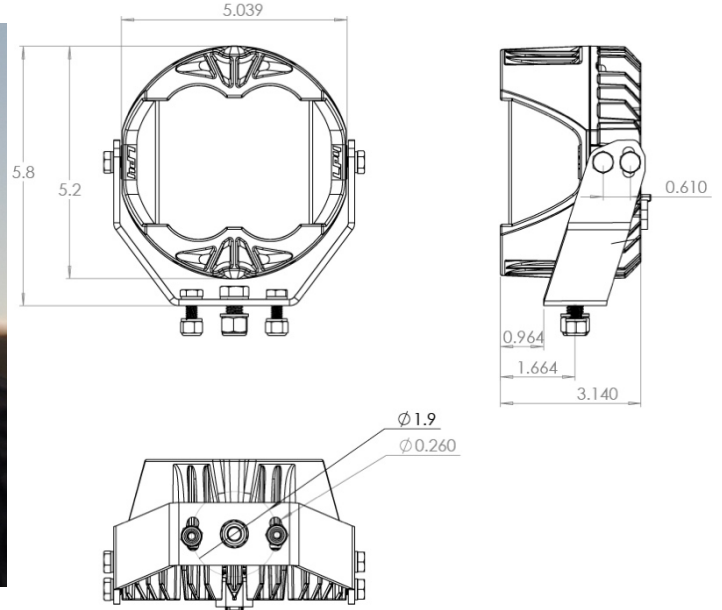
- **Satisfaction Guaranteed** - 30 Day Money Back Guarantee
- **Limited Lifetime Warranty** - Complete Purchase Protection
- **uService®** - Replaceable Lenses And Optics
- **ClearView®** - All The Light, Right Where You Need It
- **MoistureBlock™** - Waterproof, Rain Proof, Submersible
- **CopperDrive®** - Only LED Driven At 100%
- **5000K Daylight** - Less Driver Fatigue, Natural Color

www.baja.net.au

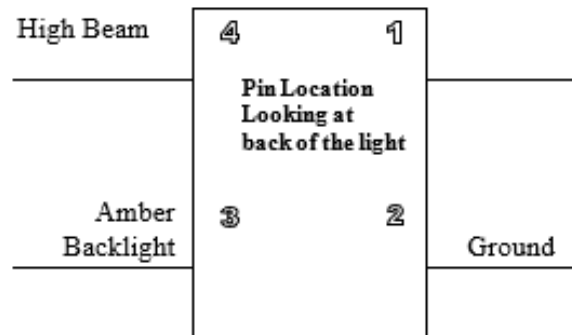
LP4



STOTTS



Part Number	Description	Size	Lumens	Amps/Watts
29-0001	LP4 Pro, LED, Spot	5.1" Height / 5.1" Width / 3.2" Depth	Forward Projecting Lumens: 7,050 Utilizing 4 LEDs IPT Lumens: 1,700 Utilizing 4 LEDs	Forward Projecting Wattage/Amps: 60W / 4.4A IPT Wattage/Amps: 15W / 1.0A
29-0003	LP4 Pro, LED, Driving/Combo	5.1" Height / 5.1" Width / 3.2" Depth	Forward Projecting Lumens: 7,050 Utilizing 4 LEDs IPT Lumens: 1,700 Utilizing 4 LEDs	Forward Projecting Wattage/Amps: 60W / 4.4A IPT Wattage/Amps: 15W / 1.0A
29-0013	LP4 Pro, LED, Driving/Combo, Amber	5.1" Height / 5.1" Width / 3.2" Depth	Forward Projecting Lumens: 7,050 Utilizing 4 LEDs IPT Lumens: 1,700 Utilizing 4 LEDs	Forward Projecting Wattage/Amps: 60W / 4.4A IPT Wattage/Amps: 15W / 1.0A
29-7801	LP4 Pro, LED, Spot, Pair	5.1" Height / 5.1" Width / 3.2" Depth	Forward Projecting Lumens: 7,050 Utilizing 4 LEDs IPT Lumens: 1,700 Utilizing 4 LEDs	Forward Projecting Wattage/Amps: 60W / 4.4A IPT Wattage/Amps: 15W / 1.0A
29-7803	LP4 Pro, LED, Driving/Combo, Pair	5.1" Height / 5.1" Width / 3.2" Depth	Forward Projecting Lumens: 7,050 Utilizing 4 LEDs IPT Lumens: 1,700 Utilizing 4 LEDs	Forward Projecting Wattage/Amps: 60W / 4.4A IPT Wattage/Amps: 15W / 1.0A
29-7813	LP4 Pro, LED, Driving/Combo, Amber, Pair	5.1" Height / 5.1" Width / 3.2" Depth	Forward Projecting Lumens: 7,050 Utilizing 4 LEDs IPT Lumens: 1,700 Utilizing 4 LEDs	Forward Projecting Wattage/Amps: 60W / 4.4A IPT Wattage/Amps: 15W / 1.0A



- The LP4 is able to run at 12-36 Volts.
- High beam and Amber Back light function off positive current.
- **Do NOT power pins 1 and 4 at the same time.** This may cause damage to the circuit board!
- If you are creating your own wiring harness the mating connector for the back of the light is a Deutsch Connector with part number DT06-4S.

LIMITED LIFETIME WARRANTY

Baja Designs proudly offers a LIFETIME WARRANTY against manufacturer's defect on all of the products that we manufacture. These are comprehensive warranties; other than the exclusions below – you're covered. If your LED or HID bulb burns out, you're covered. Additionally, cutting off our connector or changing your lenses does not automatically void your warranty.

Exclusions:

Installation errors, abuse, misuse or crash damage. You must be the original owner of the product and can supply proof of purchase.

Baja Designs manufactures its own products as well as resells products manufactured by others. Baja Designs makes no express or implied warranties on products not manufactured by Baja Designs including without limitation any warranties or merchantability and fitness for a particular purpose. We will however, pass on all warranties made by the manufacturer, who has sole responsibility for performing such warranties.

Baja Designs will pay the freight if your product is less than 90 days old, otherwise defective products must be returned to Baja Designs, Inc., freight prepaid. At our option, we will repair or replace items in question and return them at no charge. If the identical product is no longer available we will replace with a similar product of equal value. Baja Designs Inc. will not be responsible for any indirect or consequential damages in connection with defective merchandise.

Items purchased through a Baja Designs authorized dealer must be returned through the dealer. Only available on LED auxiliary lights and product must be in sellable condition at MSRP. Product that has been damaged in any way after the original purchase date will be excluded from this guarantee

Indemnification:

Buyer hereby acknowledges off-roading, racing and driving at night are dangerous activities and that the products and/or supplies purchased from Baja Designs are used in an inherently dangerous activity that may endanger life and limb; and in no event shall the seller, or seller's heirs and assigns, be held liable for consequential damages, nor shall seller's liability on any claim for damages arising out of or connected with the sale, delivery, or use of purchased products and/or supplies exceed the purchase price of the products and/or supplies.

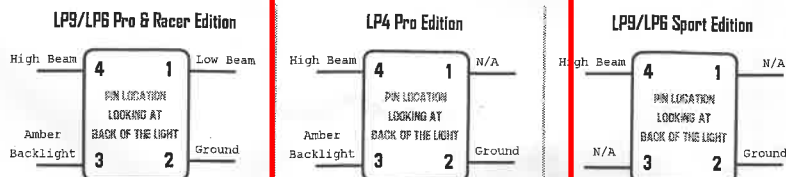
www.baja.net.au

185 BOSSTICK BOULEVARD
 SAN MARCOS, CA 92069

PHONE 760-560-2252
 FAX 760-560-0383

INFO@BAJADESIGNS.COM
 WWW.BAJADESIGNS.COM

CONNECTOR WIRING INSTRUCTIONS



- LP9, LP6, and LP4 Operating Voltage: 12-36 Volts.
- Low Beam, High Beam, and Amber Backlight function off positive current.
- DO NOT Power Pins 1 and 4 at the same time.** This may cause damage to the circuit board - not covered under warranty.
- If you are creating your own wiring harness, the mating connector for the back of the light is a Deutsch Connector (DT06-4S). When wiring the light, you cannot supply power to the low beam (Pin 1) & the High Beam (Pin 4) at the same time.

Wiring a single light from power source = 14 ga wire.

Wiring two light = 12 ga from power source, 14 ga from split junction.

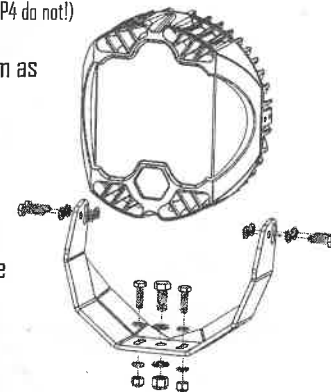
Use a three position toggle switch (on/off/on) that is Double Pole, Double Throw (DPDT). In one of the On positions, it will supply power to the low beam. In the opposite On position, it will supply power to the high beam. Custom wire harnesses must be made with 12 gauge wire for Pins 1, 2, and 4. Pin 3 must use a minimum of 16 gauge wire. If the minimum size wire is not used, fire, or damage to the light may occur.

We highly recommend the use of our 64-0172, LP9 Pro Wire Harness to safely power up to two lights at a time. The 64-0172 includes a switch, relay, connectors, and ample lengths of wire for a full size vehicle.

LP9 LP6 LP4

MOUNTING INSTRUCTIONS (LP9 uses washers on the inside, LP6 & LP4 do not!)

- Begin by removing the light and bracket from the box and orient them as shown in the picture.
- Locate the 1/4"-20 and 3/8" hardware in the provided hardware pack, placing the center 3/8" bolt, two longer 1/4"-20 bolts, and associated washers through the bottom of the bracket as shown in the picture. Do not fully tighten the lower mounting bracket hardware until the light has been aligned.
- Mount the bracket to the light using the remaining 1/4"-20 hardware as shown in the picture.

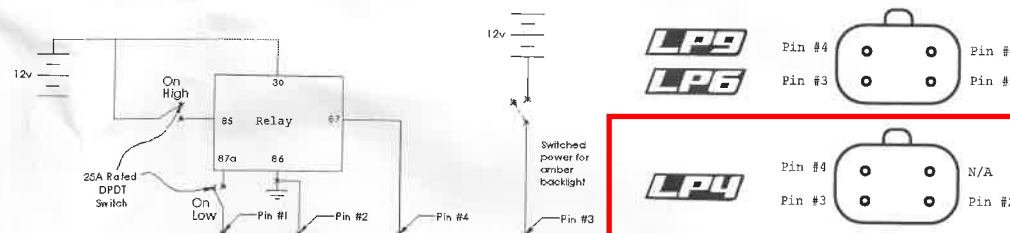


LENS SWAP INSTRUCTIONS



- When installing a different lens, simply remove the 6 (LP9) or 4 (LP6 & LP4) bolts using a 4mm allen wrench on the back of the light.
- Carefully remove the front bezel and lens.
- Make sure the o-ring is properly fitted in the o-ring groove of the housing when installing the new lens. The o-ring is not directional, although the shape has been designed to match the housing profile groove.
- Once you have ensured the o-ring, lens, and bezel has been properly seated, begin tightening the 6 (LP9) or 4 (LP6 & LP4) bolts. The bezel hardware should be torqued to 25 lbf-in in a "criss-cross" pattern.

LP SERIES WIRING HARNESS SCHEMATIC (Relay PN: 4RD 933 332-18)



Looking at back of light