

**OnX<sup>SIX</sup>**  
**racer edition**



### Description:

It's easy to outrun a factory lighting system, especially when you're driving off-road. You'll have a lot tougher time outrunning a Baja Designs OnX6 Racer Edition Light Bar — the 10-inch LED light bar puts your factory lighting system to shame. The OnX6 Racer Edition Light Bar was designed for speeds of 110+ MPH — that's super-fast when you're slamming down the trail. This off-road light bar was developed exclusively for Baja Designs' TeamBD racers. That's pro quality shipped right to your door. The 10-inch OnX6 Light Bar comes with our industry-first 30-Day Satisfaction Guarantee and Limited Lifetime Warranty.

### Standards of Compliance:

#### MIL-STD-810G Certified

- (Low Temperature Test, High Temperature, Temperature & Humidity, Thermal Shock Cycling, Dust, Random Vibration, Mechanical Shock, Low Pressure & Drip Box Water)

**IP69k Certified** - (Submersible to 9ft)

**IK10 Compliant** - (Mechanical Impact Testing)

**Salt Spray Certified**

**High/Medium Modes**

### Baja Designs Features:

- **Satisfaction Guaranteed** - 30 Day Money Back Guarantee
- **Limited Lifetime Warranty** - Complete Purchase Protection
- **uService®** - Replaceable Lenses And Optics
- **ClearView®** - All The Light, Right Where You Need It
- **MoistureBlock™** - Waterproof, Rain Proof, Submersible
- **CopperDrive®** - Only LED Driven At 100%
- **5000K Daylight** - Less Driver Fatigue, Natural Color

### Specifications:

**Weight:** 4.25 lbs per 10" Section

**Wattage/Amps:** 63W / 5.25A

**Dimensions:** 10" x 4.29" x 2.69"

**LED Life Expectancy:** 49,930 Hours

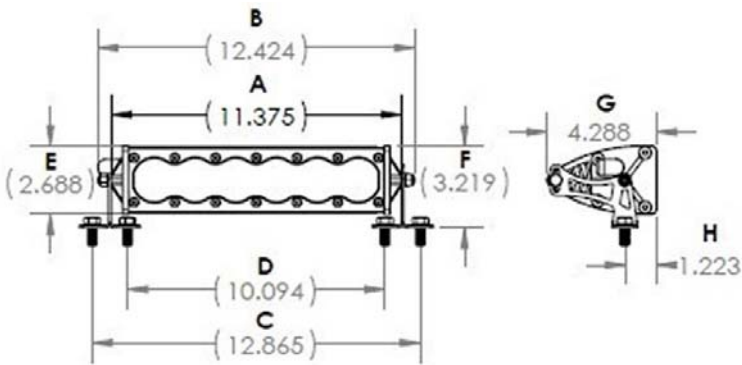
**Front Lens:** Hard Coated Polycarbonate

**Housing:** Aircraft Grade Aluminum w/Mil-Spec Hard Anodize

**Hardware & Bracket Material:** Stainless Steel

**Exceeds MIL-STD810G**

**Built-In Overvoltage Protection**

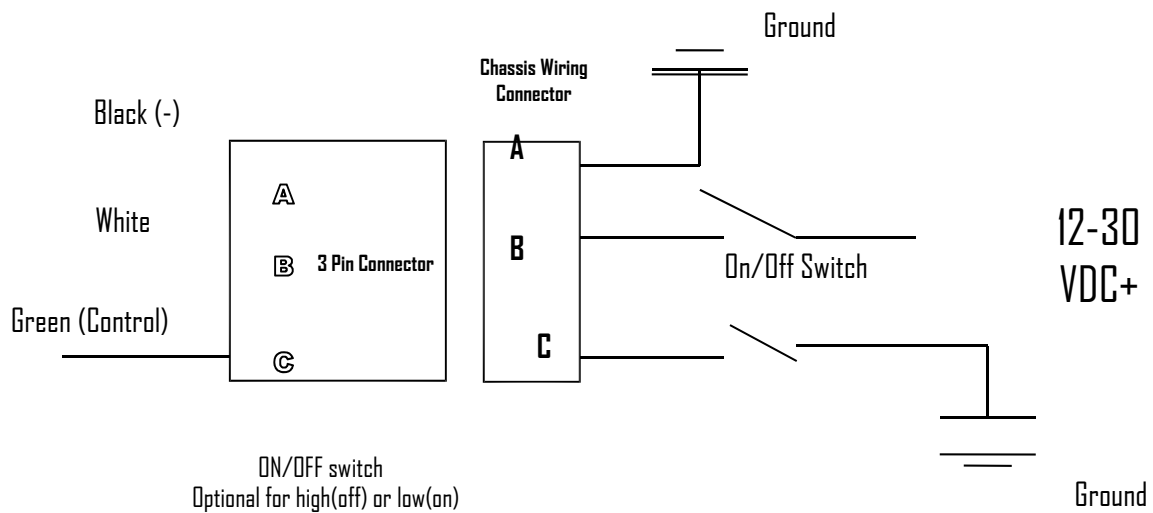


Part Number	Description	Size	Lumens	Amps/Watts
41-1002	OnX6, 10" Racer Edition High Speed Spot LED Light Bar	10" x 4.29" x 2.69"	N/A	63W / 5.25A
41-2002	OnX6, 20" Racer Edition High Speed Spot LED Light Bar	20" x 4.29" x 2.69"	N/A	126W / 10.5A
41-3002	OnX6, 30" Racer Edition High Speed Spot LED Light Bar	30" x 4.29" x 2.69"	N/A	189W / 15.75A
41-4002	OnX6, 40" Racer Edition High Speed Spot LED Light Bar	40" x 4.29" x 2.69"	N/A	252W / 21A
41-5002	OnX6, 50" Racer Edition High Speed Spot LED Light Bar	50" x 4.29" x 2.69"	N/A	315W / 26.25A

## Baja Designs OnX6 Wiring

All OnX6 Light bars have a microprocessor that performs thermal management of the LED's and allow a **dimming mode**. If you want to use the dimming mode of the light bar, a separate switch is required to ground the green control wire (Pin C). We also include a plug n play low adapter if you want the light always dimmed but don't want to wire a switch. If you do not need this feature, then a single standard on/off switch is all that is required.

### Wiring: 3 Pin WeatherPak Connector



When using the 2<sup>nd</sup> Switch, the light will dim to 75% power. Turning the switch off will toggle back to full power. This is to be used when your vehicles charging system cannot produce the necessary voltage (13.5V or higher) to keep the vehicle charging. Included with your light is an inline "Hi-Low" adapter in case you **DO NOT** want to wire a secondary "On/Off" switch.

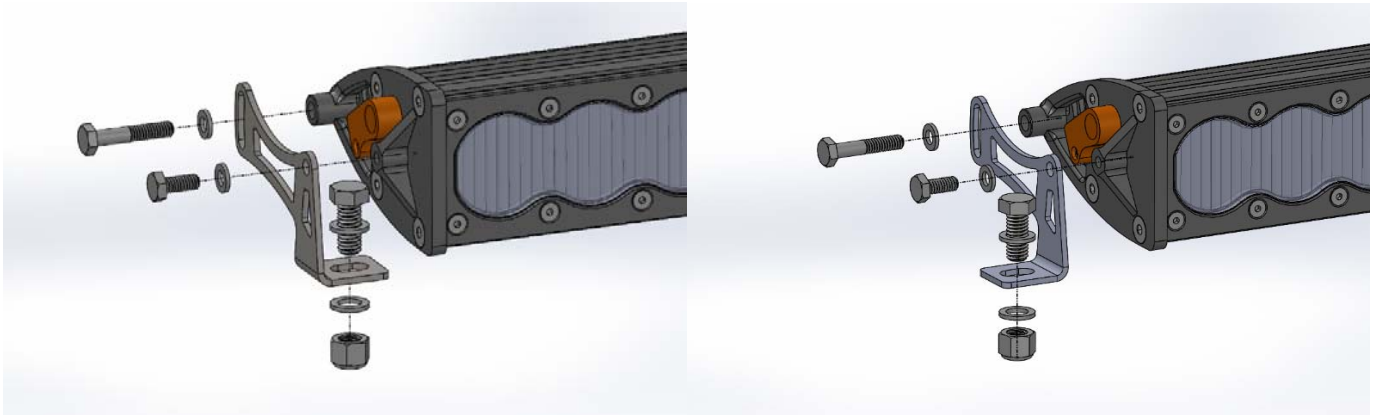
**BMT technology:** The OnX6 also features **Battery Management Technology** which regulates the amount of amperage the light will draw in case of low voltage situations. This will help prolong the life of the vehicles battery by reducing the lights wattage as well as prevent the light from drawing too many amps through the vehicles electrical system.

**Moisture Block:** The Moisture Block functions exactly as it sounds, completely blocking moisture or water from climbing its way up the cord into your LED light.

*Cutting past the Moisture Block will **VOID YOUR WARRANTY***



## OnX6 LED Light Bar Mounting

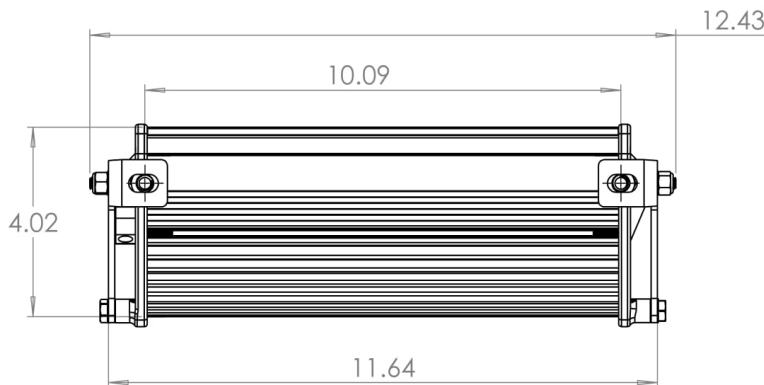
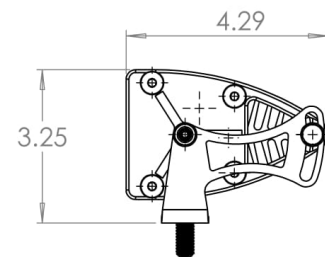
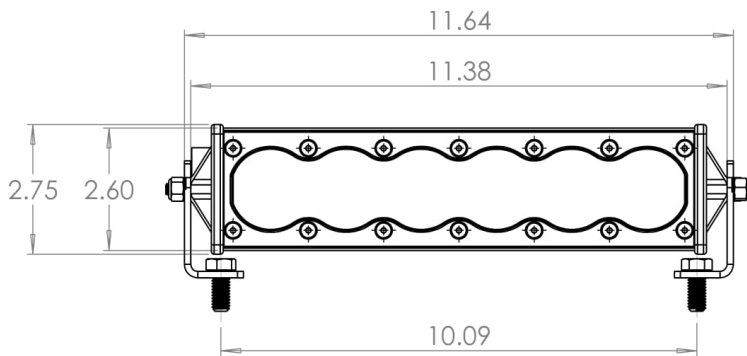


*If you have any questions, please don't hesitate to give us a call at 02 4966 8020*



## OnX6 LED Light Bar Dimensions in INCHES

### 10 Inch Bar



NOTE: MOUNTING HARDWARE 1/4-20"  
ALL OTHER HARDWARE USED METRIC

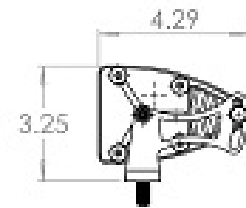
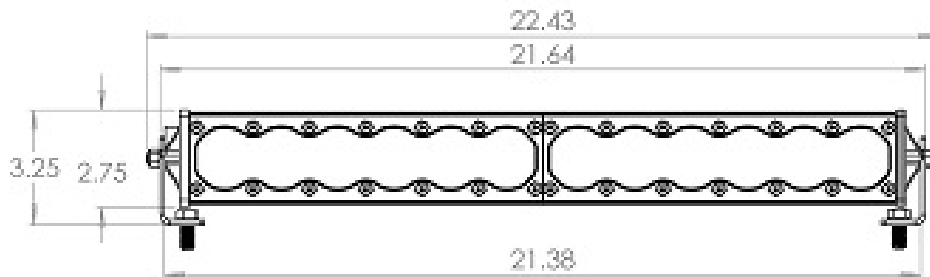
*If you have any questions, please don't hesitate to give us a call at 02 4966 8020*

[www.baja.net.au](http://www.baja.net.au)

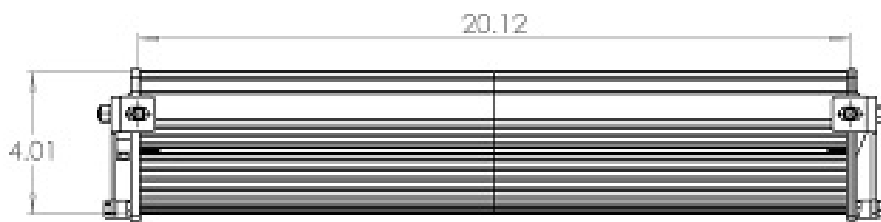


## DnX6 LED Light Bar Dimensions in INCHES

### 20 Inch Bar



NOTE: MOUNTING HARDWARE 1/4-20"  
ALL OTHER HARDWARE USED IS METRIC



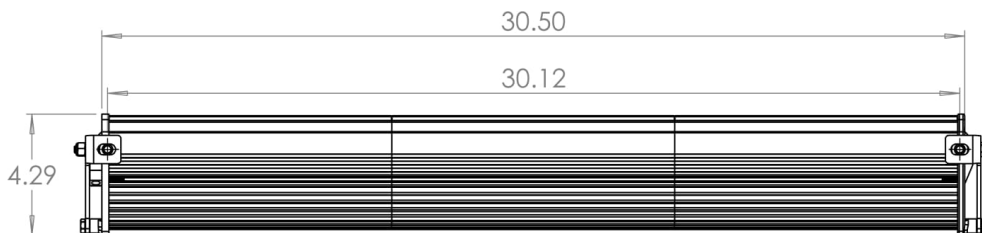
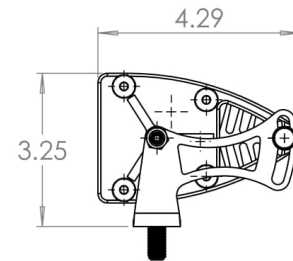
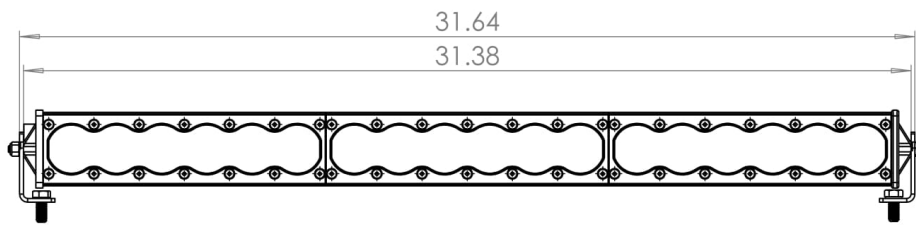
*If you have any questions, please don't hesitate to give us a call at 02 4966 8020*

[www.baja.net.au](http://www.baja.net.au)



## OnX6 LED Light Bar Dimensions in INCHES

### 30 Inch Bar



*If you have any questions, please don't hesitate to give us a call at 02 4966 8020*

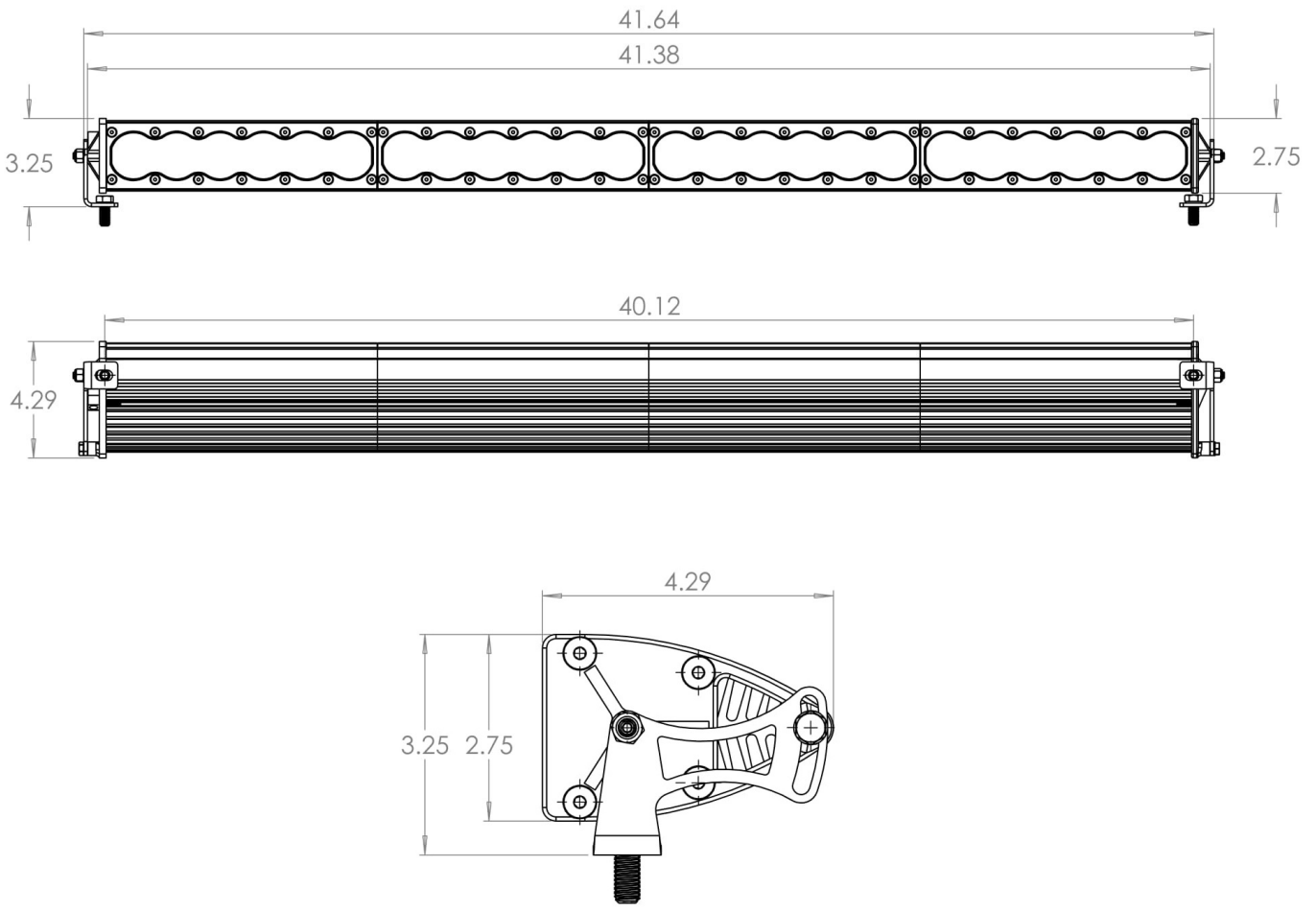
[www.baja.net.au](http://www.baja.net.au)



# OnX6 LED Light Bar Dimensions in INCHES



## 40 Inch Bar



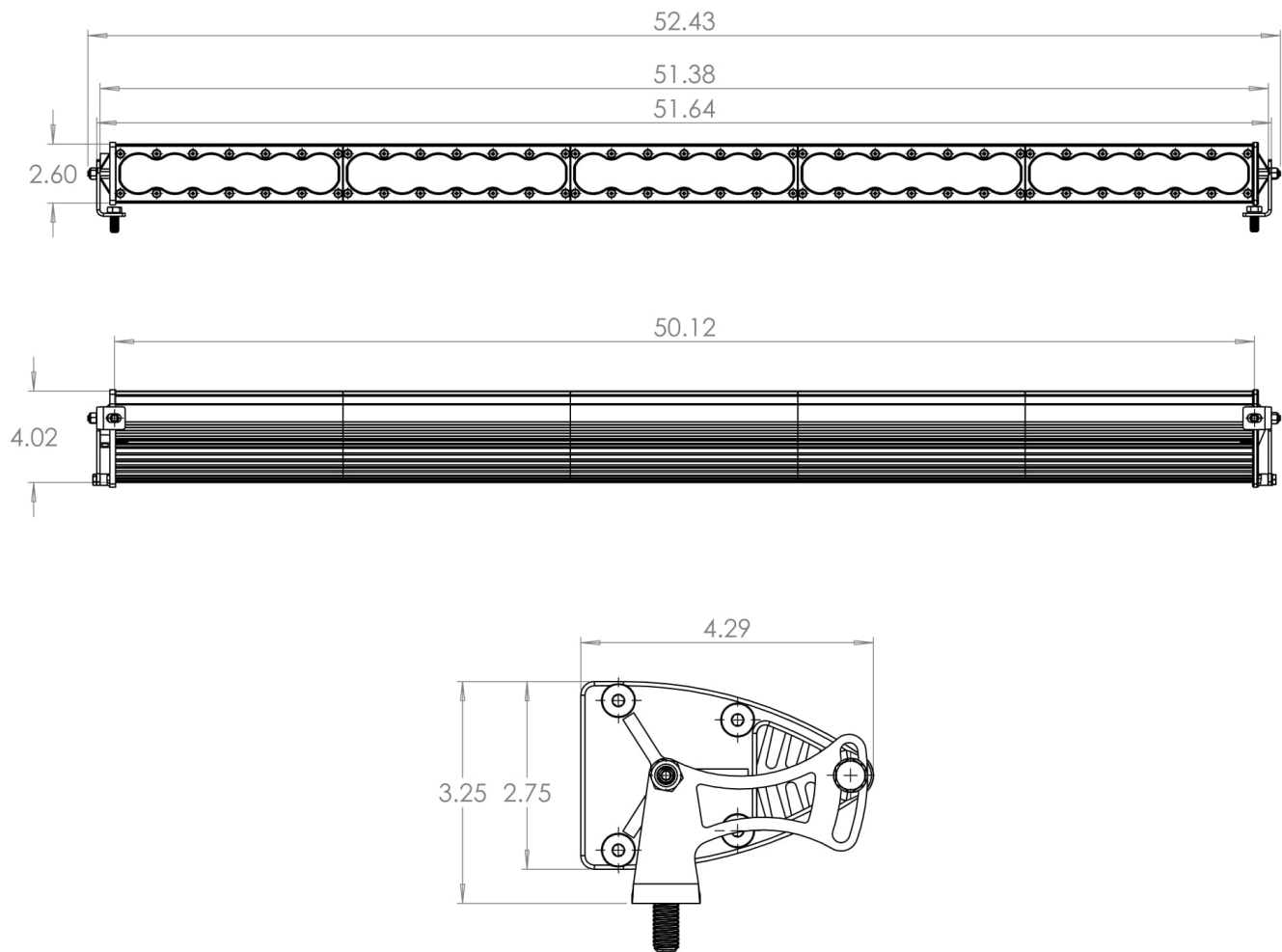
*If you have any questions, please don't hesitate to give us a call at 02 4966 8020*

[www.baja.net.au](http://www.baja.net.au)



## OnX6 LED Light Bar Dimensions in INCHES

### 50 Inch Bar



*If you have any questions, please don't hesitate to give us a call at 02 4966 8020*

[www.baja.net.au](http://www.baja.net.au)

04 FEB 22