

XLTM 80



 STOTTS



Description:

Choose to take your off-road lighting to the next level with BD's 9,500 lumen XL80. Similar to BD's XL Pro model, the XL80 offers a 20% dimming feature, a powder coated housing and an anodized bezel. However, this is where the similarities end. The XL80 features a very powerful LED for greater visibility and increased brightness. As always, Baja Designs offers a 30 Day Satisfaction Guarantee, and Limited Lifetime Warranty.

Baja Designs Features:

Satisfaction Guaranteed - 30 Day Money Back Guarantee

Limited Lifetime Warranty - Complete Purchase Protection

uService® - Replaceable Lenses And Optics

ClearView® - All The Light, Right Where You Need It

MoistureBlock™ - Waterproof, Rain Proof, Submersible

CopperDrive® - Only LED Driven At 100%

5000K Daylight - Less Driver Fatigue, Natural Color

www.baja.net.au

Specifications:

Lumens: 9,500 Utilizing 4 Cree XHP50 LEDs

Candela: 213,605 (CD)

Weight: 2.45 lbs

Wattage/Amps: 80W / 5.79A

Dimensions: 4.43" x 3.65" x 4.43"

LED Life Expectancy: 49,930 Hours

Front Lens: Hard Coated Polycarbonate

Housing: Hard Anodize & Powder Coat

Bezel: Hard Anodize

Hardware & Bracket Material: Stainless Steel

Standards of Compliance:

MIL-STD-810G Certified - (Low Temperature Test, High Temperature, Temperature & Humidity, Thermal Shock Cycling, Dust, Random Vibration, Mechanical Shock, Low Pressure, & Drip Box Water)

Exceeds MIL-STD810G (Mil-Spec Testing)

Built-In Overvoltage Protection

IP69k Certified - (Submersible to 9ft)

IK10 Compliant - (Mechanical Impact Testing)

Salt Spray Certified

XL80™

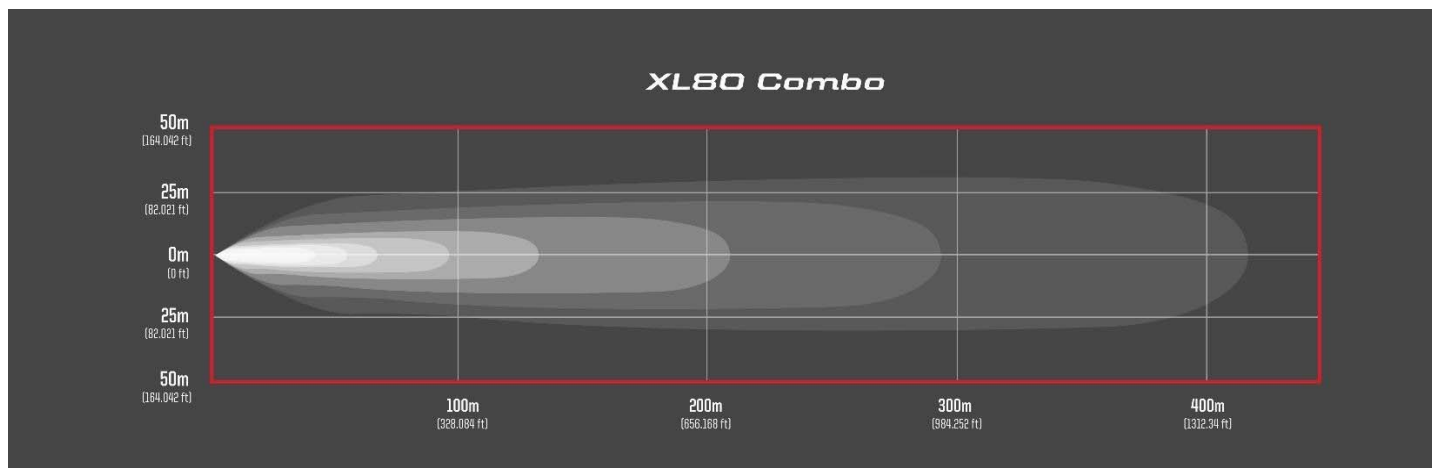


 STOTTS

Part Number	Description	Size	Lumens	Amps/Watts
67-0003	XL80, LED Driving/Combo	4.43" x 3.65" x 4.43"	9,500	80W / 5.79A
67-0005	XL80, LED Wide Cornering	4.43" x 3.65" x 4.43"	9,500	80W / 5.79A
67-0006	XL80, Work/Scene, LED	4.43" x 3.65" x 4.43"	9,500	80W / 5.79A
67-0013	XL80, LED Driving/Combo, Amber	4.43" x 3.65" x 4.43"	9,500	80W / 5.79A
67-0015	XL80, LED Wide Cornering, Amber	4.43" x 3.65" x 4.43"	9,500 - Per	80W / 5.79A - Per
67-7803	XL80, Pair Driving/Combo	4.43" x 3.65" x 4.43"	9,500 - Per	80W / 5.79A - Per
67-7805	XL80, Pair Wide Cornering	4.43" x 3.65" x 4.43"	9,500 - Per	80W / 5.79A - Per
67-7813	XL80, Pair Driving/Combo, Amber	4.43" x 3.65" x 4.43"	9,500 - Per	80W / 5.79A - Per
67-7815	XL80, Pair Wide Cornering, Amber	4.43" x 3.65" x 4.43"	9,500 - Per	80W / 5.79A - Per
76-0003	XL-R 80, LED Driving/Combo	5.24" x 3.65" x 5.24"	9,500	80W / 5.79A
76-0005	XL-R 80, LED Wide Cornering	5.24" x 3.65" x 5.24"	9,500	80W / 5.79A
76-0013	XL-R 80, LED Driving/Combo, Amber	5.24" x 3.65" x 5.24"	9,500	80W / 5.79A
76-0015	XL-R 80, LED Wide Cornering, Amber	5.24" x 3.65" x 5.24"	9,500	80W / 5.79A
76-7803	XL-R 80, Pair Driving/Combo	5.24" x 3.65" x 5.24"	9,500 - Per	80W / 5.79A - Per
76-7805	XL-R 80, Pair Wide Cornering	5.24" x 3.65" x 5.24"	9,500 - Per	80W / 5.79A - Per
76-7813	XL-R 80, Pair Driving/Combo, Amber	5.24" x 3.65" x 5.24"	9,500 - Per	80W / 5.79A - Per
76-7815	XL-R 80, Pair Wide Cornering, Amber	5.24" x 3.65" x 5.24"	9,500 - Per	80W / 5.79A - Per



Isolux



LIMITED LIFETIME WARRANTY

Baja Designs proudly offers a LIFETIME WARRANTY against manufacturer's defect on all of the products that we manufacture.

These are comprehensive warranties; other than the exclusions below – you're covered. If your LED or HID bulb burns out, you're covered. Additionally, cutting off our connector or changing your lenses does not automatically void your warranty.

Exclusions:

Installation errors, abuse, misuse or crash damage. You must be the original owner of the product and be able to supply proof of purchase.

Li-Ion or Li-Po Batteries: carry a 2 year warranty.

NiCad DSK Batteries: carry a 90 day warranty

Dual Sport Kit Switches: carry a 1 year warranty.

Baja Designs manufactures its own products as well as resells products manufactured by others. Baja Designs makes no express or implied warranties on products not manufactured by Baja Designs including without limitation any warranties or merchantability and fitness for a particular purpose. We will however, pass on all warranties made by the manufacturer, who has sole responsibility for performing such warranties.

Baja Designs will pay the freight if your product is less than 90 days old, otherwise defective products must be returned to Baja Designs, Inc., freight prepaid. At our option, we will repair or replace items in question and return them at no charge. If the identical product is no longer available we will replace with a similar product of equal value. Baja Designs Inc. will not be responsible for any indirect or consequential damages in connection with defective merchandise.

Indemnification:

Buyer hereby acknowledges off roading, racing and driving at night are dangerous activities and that the products and/or supplies purchased from Baja Designs are used in an inherently dangerous activity that may endanger life and limb; and in no event shall the seller, or seller's heirs and assigns, be held liable for



consequential damages, nor shall seller's liability on any claim for damages arising out of or connected with the sale, delivery, or use of purchased products and/or supplies exceed the purchase price of the products and/or supplies.

Customer satisfaction stands at the core of who Baja Designs is as a company. BD gives you a full 30 days to test out your new light and if you are not 100% satisfied with your purchase, you can send it back for an exchange or refund of the purchase price and applicable tax.

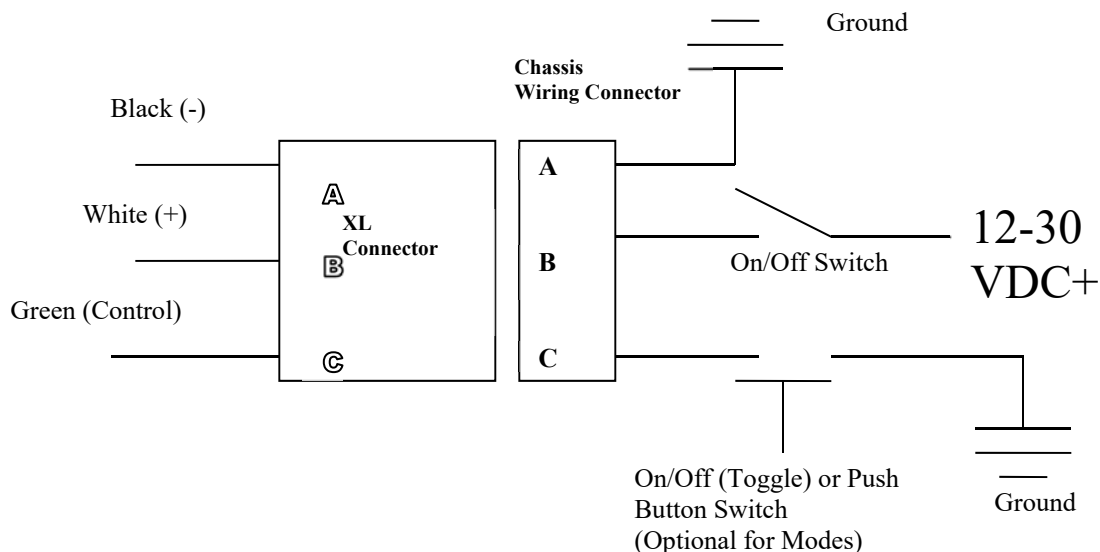
Exclusions:

Items purchased through a Baja Designs authorized dealer must be returned through the dealer. Only available on LED auxiliary lights and product must be in sellable condition at MSRP. Product that has been damaged in any way after the original purchase date will be excluded from this guarantee.

Please read this manual prior to installation.

Thank you for purchasing the Baja Designs. Baja Designs XL Pro, XL-R Pro, XL Sport & XL-R Sport LED auxiliary lights have a microprocessor that performs thermal management of the LED's and allow a **dimming mode**. If you want to use the dimming mode of the light, a separate on/off (toggle) or push button switch is required. If you do not need this feature, then a single standard on/off switch is all that is required.

Connector Wiring (WeatherPak 3 Pin Connector)



When using the optional On/Off (Toggle) or Push Button Switch, depressing the switch will dim the light to 50% power. Depressing the switch again will toggle back to full power.

Moisture Block: The Moisture Block functions exactly to its name, completely blocking moisture or water from climbing its way down the cord into your LED light. You can even cut the connector off without voiding your warranty.

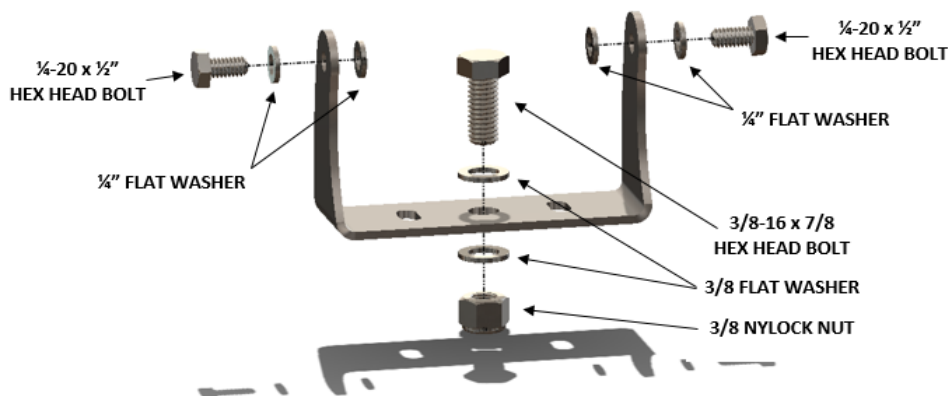
XLTM 80



 STOTTS



XL 80 Work Scene Mounting



Lens Swap Instructions (uService):

- This kit includes optional lenses to swap out for different patterns. These lenses can be installed by simply removing the 4 allen head bolts using a 2.5mm allen wrench on the bezel of the light.
- Remove the o-ring and place it in the lens you'd like to install.
- Make sure that the o-ring is properly fitted when installing the lens onto the housing. The o-ring is not directional and can be installed in any position.
- Reinstalling the bezel will give you a brand new lens and pattern, depending on your preference.
- The bezel should be torqued to 8 ft./lb. in a "criss-cross" pattern.

www.baja.net.au